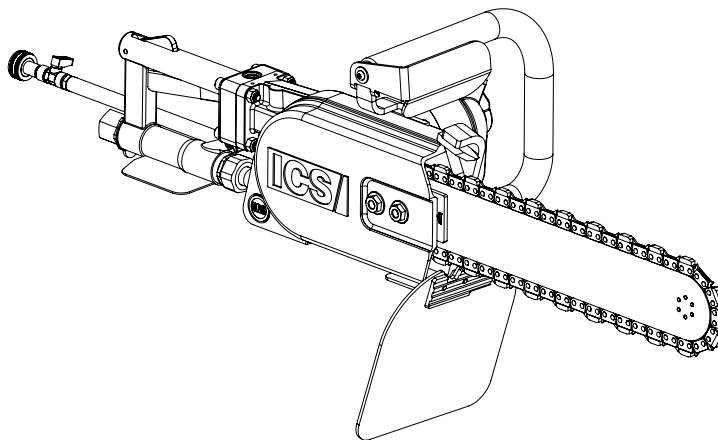


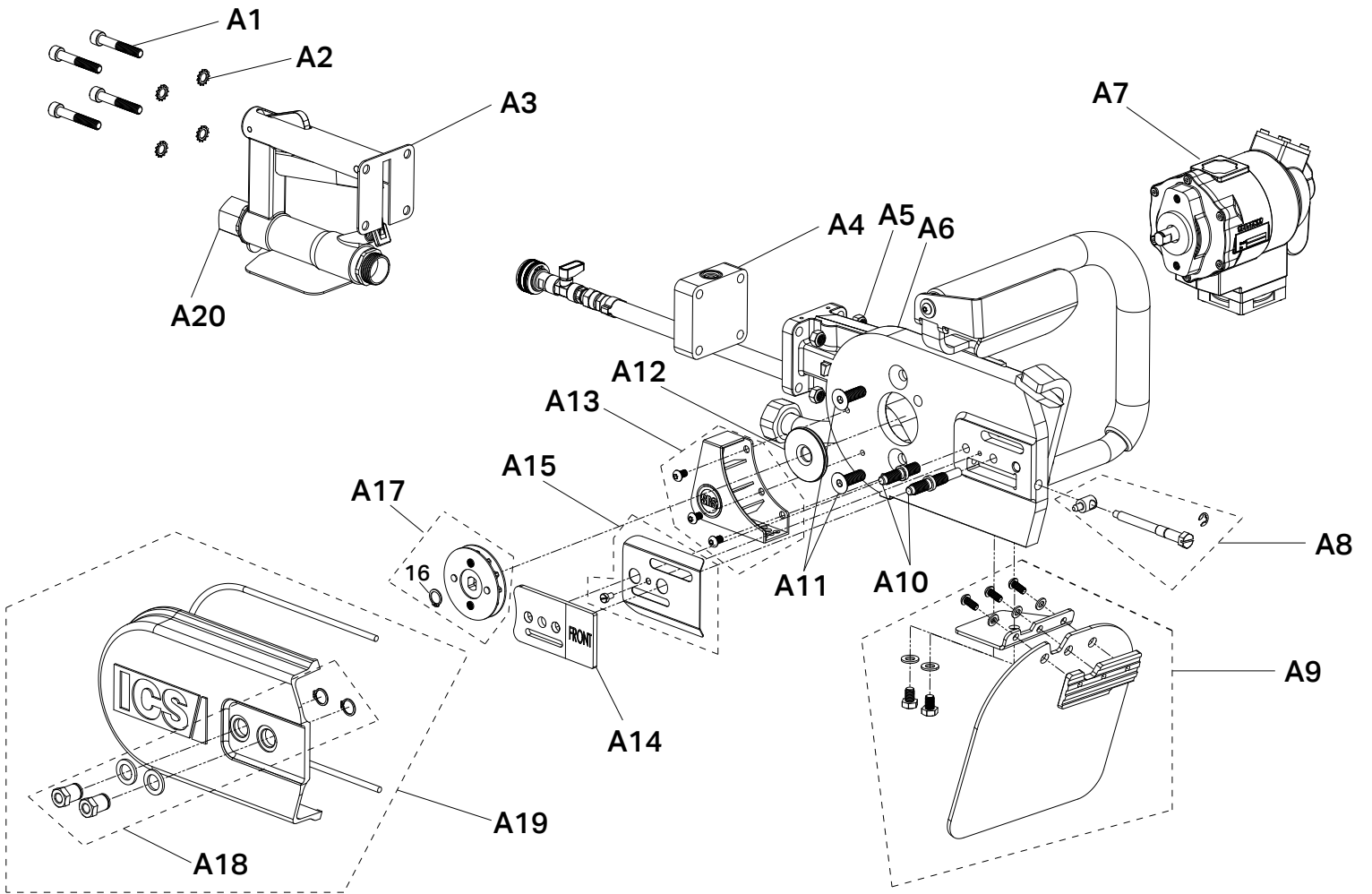


**Diamond Tools and Equipment
for Construction and Infrastructure**

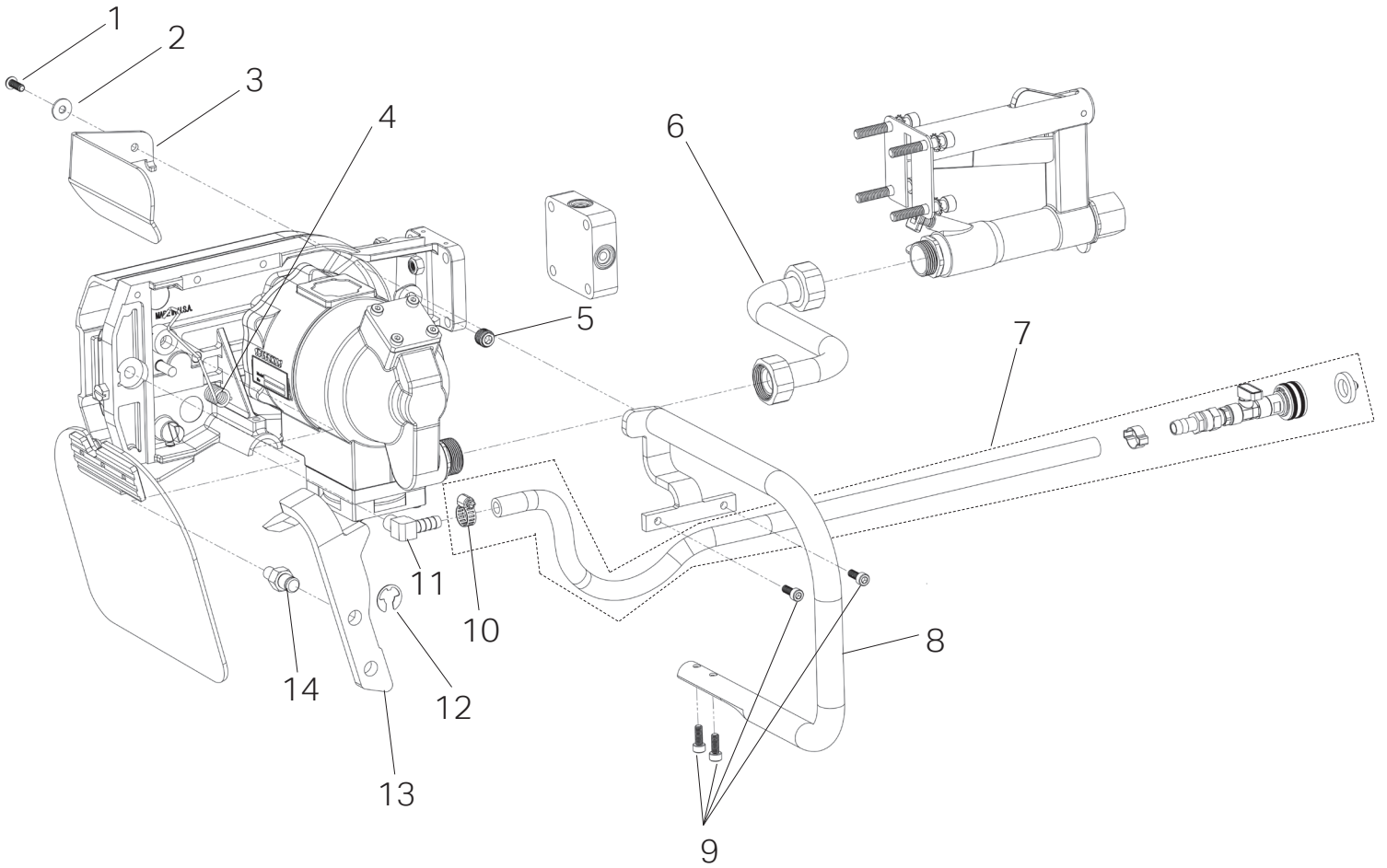
AIR POWERED CONCRETE CUTTING CHAINSAW



Model # 701-A REPLACEMENT PARTS PRICE LIST



Key #	Part No.	Description	MSRP
A1	576557	Rear Handle Screw	\$8.25
A2	576558	Rear Handle Washer	\$3.75
A3	576467	Rear Handle	\$2,363.00
A4	576559	Level Block	\$718.75
A5	70135	Rear Handle Nylock Nut	CALL
A6	574206	Mainframe	CALL
A7	576468	Motor	\$1,370.00
A8	70636	Tensioner Kit	\$66.60
A9	576336	Mud Flap Assembly	\$114.25
A10	72349	Bar Mounting Studs	\$65.60
A11	576573	Bolt, Motor Mount	\$13.50
A12	528563	External Shaft Seal Kit	CALL
A13	512592	Baffle Drain Replacement Kit	\$94.40
A14	70628	Bar Retainer Plate	\$24.80
A15	70627	Bar Mount Cover Plate	\$35.50
A16	549796	Snap Ring	\$5.50
A17	565065	Drive Sprocket (includes snap ring)	\$241.70
A18	70639	Retaining Nut Kit (set of 2)	\$58.20
A19	528564	Side Cover Replacement Kit	\$209.00
A20	576613	NPT Fitting 3/4 x 14"	\$91.00



Key #	Part No.	Description	MSRP
B1	71005	Screw M6 x 16 BSHCS Plated	\$2.05
B2	71004	Washer M6 Plated	\$1.05
B3	576326	Front Handle Guard	\$51.00
B4	70640	Torsion Spring, WallWalker®	\$22.70
B5	504766	1/4" NPT Hex Plug, S.S.	\$16.35
B6	576466	Connection Tube (fitting included)	\$1,725.50
B7	576527	Water Shut-Off Sub Assy, 2 ft.	\$94.50
B8	576325	Front Handle Assembly	\$212.00
B9	71097	Screw M6 x 16 SHCS plated	\$1.05
B10	71133	Screw Hose Clamp	\$5.10
B11	71065	90 degree water fitting	\$11.25
B12	71896	WallWalker® Stud C-Clip	\$1.05
B13	70873	Lever Arm	\$116.30
B14	70874	Pro Pivot Stud	\$21.42

NOT SHOWN

Part No.	Description	MSRP
70619	Tensioning Scrench	\$14.10
540291	Side Cover Gasket	\$18.30
530046	701A Series FORCE4™ Bar Nose Sprocket Repair Kit	\$40.50
575014	701-A Tune-up Kit ¹	\$342.25
575015	701-A Repair Kit - includes tune up kit ²	\$3,027.50
575013	Airpac, pneumatic saw oiler	\$1,313.25
575107	PROLUBE - Atl 1 gal. bottle	\$87.25
575108	PROLUBE - Atl 4 gal case	\$337.75
575109	PROLUBE ATL/AF 1 gal. bottle	\$144.50
575110	PROLUBE, ATL/AF 4 gal case	\$434.25
575105	PROLUBE-ATL/AF 1 quart bottle	\$48.50
575111	PROLUBE, ATL/AF 12 quarts	\$567.25
575096	Rotor with drive shaft	\$1,034.50
575097	Vane, 701-A motor	\$48.00
575098	End Plate, 701-A Motor Rear	\$305.00
575099	End Plate, 701-A Motor Front	\$241.25
575130	OILER, w/hose whip, 3/4 X 6 ft	\$397.00
576349	Grooved Ball Bearing 701-A Motor	\$66.00
576350	Grooved Ball Bearing 701-A Motor	\$68.50
576355	Ball	\$34.75
576567	Trigger Lock Out Bolt	\$359.25
576566	Valve Lifter	\$39.50
576565	Roll Pin, Trigger Rear	\$11.25
576564	Roll Pin, Trigger Rear	\$11.25
576354	Belleville Spring, 701-A Motor	\$70.50
576353	Spring, 701-A Valve	\$9.75
576562	Lock Out Spring	\$48.00
576561	Spring 701-A Plunger	\$91.00
567560	O-ring 701-A Valve	CALL
576357	O-ring 701-A Motor	\$3.75
576352	Sealing Ring, 701-A Valve	\$20.00
576728	Coupler, 3/4 Universal Air Intake Saw End	\$24.50
576739	Coupler, 3/4 Universal Hose Barb End	\$23.50

¹Tune-up kit includes: Grooved ball bearing (2), Vane (7), O ring (4), gasket (1), pressure spring (2)

² Repair-up kit includes: Cylinder bushing, end plate (2), spacer ring (2), bras (2), rotor (1), tuning-up kit

This page intentionally left blank

701A SERIES REPLACEMENT PARTS LIST

**ICS, Blount Inc.
4909 SE International Way
Portland, OR 97222
Tel 800.321.1240
icsdiamondtools.com**