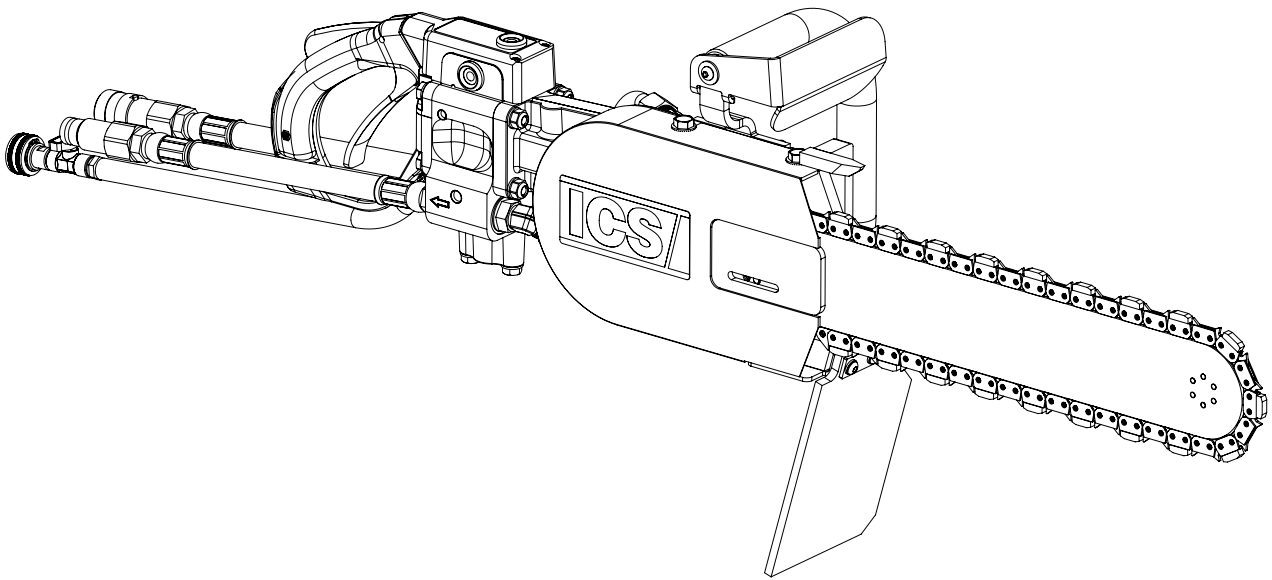




**Diamond Tools and Equipment**  
for Construction and Infrastructure

# Replacement Parts & Accessories Price List



## 880/890 FLUSH Series Hydraulic Concrete Saw

Effective January 1, 2020

# TABLE OF CONTENTS

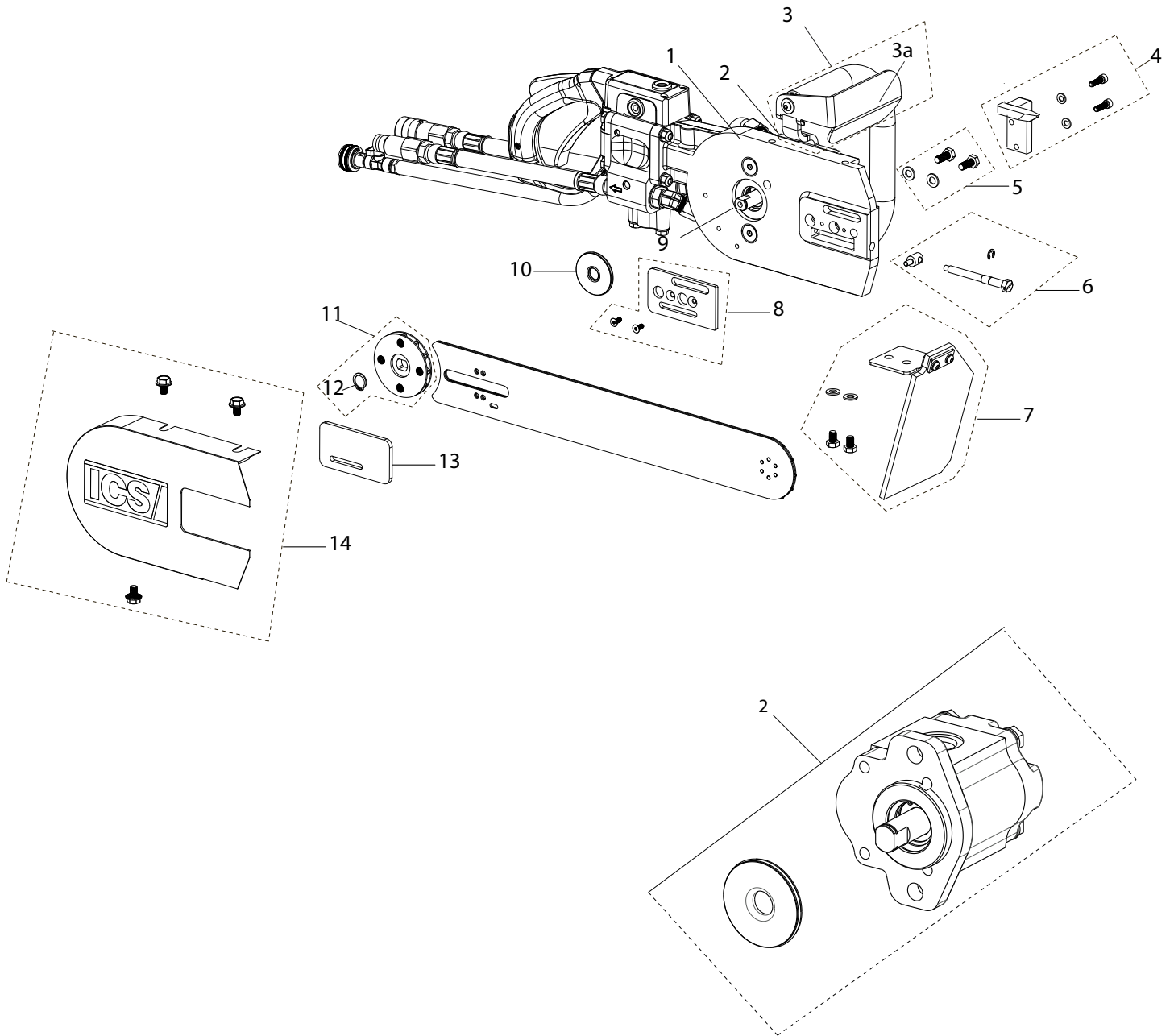
## 880/890 FLUSH Series Hydraulic Concrete Saw

ITEM DESCRIPTION	KEY	PAGE
880/890 FLUSH Series Hydraulic Saw Service Parts & Kits	n/a	2
880/890 FLUSH Series Hydraulic Saw Assembly	B	3-4

# SERVICE PARTS & KITS

## 880/890 FLUSH Series Hydraulic Concrete Saw

<b>Part No.</b>	<b>Description</b>	<b>MSRP</b>
70619	880/890 Series Tensioning Screws, Hydraulic Saws	\$14.10
71526	880/890 Series Hydraulic Valve Spool Kit	\$93.40
72296	880/890 Series Hydraulic Valve Seal Kit	\$30.10
72347	880/890 Series Hydraulic Trigger Lock-Out Spring & Pin Kit	\$25.80
506026	880/890 Series Hydraulic Trigger & Lock-Out Kit	\$42.10
507407	880/890 Series Hydraulic Front Handle Fastener Kit	\$14.00
518869	880/890 Series Hydraulic Water Valve Kit, includes clip, plunger, spring, ball & water bridge spindle	\$112.70
564985	880/890 Series Motor Conversion Kit 8 gpm (30 lpm) - includes drive sprocket/motor bolts	\$800.60
564984	880/890 Series Motor Conversion Kit 12 gpm (45 lpm) - includes drive sprocket/motor bolts	\$800.60
528594	880/890 Series Motor Seal Kit	\$182.30
564923	880/890 Series Shaft Conversion/Replacement Kit 8 gpm (30 lpm)	\$371.90
564924	880/890 Series Shaft Conversion/Replacement Kit 12 gpm (45 lpm)	\$371.90
540291	880/890 Series Side Cover Gasket	\$18.30
72342	880/890 Series Hydraulic Motor Bolt Kit	\$24.80
72344	880/890 Series Valve Bolt Kit	\$27.10
530046	880/890 Series FORCE4™ Bar Nose Sprocket Repair Kit	\$40.50
566059	880/890 Series Water Shut-off Valve Kit	\$70.90



Key #	Part No.	Description	MSRP
1	532512	880/890 FLUSH Series Mainframe Replacement Kit	\$373.10
2	564962	880/890 FLUSH Series Replacement Motor Kit 8gpm/30 lpm	\$629.20
2	564983	880/890 FLUSH Series Replacement Motor Kit 12 gpm/45 lpm	\$629.20
3	523947	880/890 FLUSH Series Front Handle Kit (includes 3a) 8gpm/30 lpm	\$212.30
3a	74586	880/890 FLUSH Series Front Handguard Kit 8gpm/30 lpm	\$40.60
3	567102	880/890 FLUSH Series Front Handle Kit (includes 3a) 12gpm/45 lpm	\$212.30
3a	517874	880/890 FLUSH Series Front Handguard Kit 12 gpm/45 lpm	\$39.70
4	524673	880/890 FLUSH Series WallWalker Spike Kit	\$250.90
5	524658	880/890 FLUSH Series Bar Clamp Bolt Kit	\$18.30
6	523946	880/890 FLUSH Series Tensioner Kit	\$58.00
7	576682	880/890 FLUSH Series Guard Flap Assembly Kit	\$63.40
8	523945	880/890 FLUSH Series Spacer Plate Kit	\$332.30
9	564923	880/890 FLUSH Series Shaft Conversion Kit w/Motor Seals 8gpm/30 lpm	\$371.90
9	564924	880/890 FLUSH Series Shaft Conversion Kit w/ Motor Seals 12gpm/45 lpm	\$371.90
10	528563	880/890 FLUSH External Shaft Seal	\$62.30
11	565066	890 FLUSH Series Drive Sprocket Kit (includes Snap ring) 8gpm/12gpm(30 lpm/45 lpm) <b>890 ONLY</b>	\$241.70
11	549761	880 FLUSH Series Drive Sprocket Kit (includes Snap ring) 8gpm/12gpm(30 lpm/45 lpm)	\$246.60
12	549796	880/890 FLUSH Series Snap ring Kit	\$5.50
13	524657	880/890 FLUSH Series Bar Clamp Plate Kit	\$123.40
14	532515	880/890 FLUSH Series Side Cover Kit	\$342.00
		* All other replacement parts are the same as 880/890 Series	
		**Replacement parts for Trigger are listed on page 2	

**880/890 FLUSH Series Replacement Parts & Accessories Price List**

**ICS, Blount Inc.  
4909 SE International Way  
Portland, OR 97222 USA  
800.321.1240  
icsdiamondtools.com**