

Raise/Lower Mechanism Valve Adjustment



Reseating the raise and lower mechanism valve

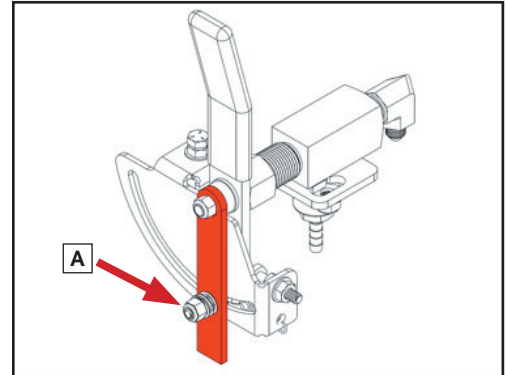
The mechanical raise and lower mechanism works by using a needle valve to control the raise and lower functions of the flat saw.

Operational wear during the valve life cycle may cause the saw lower without operator interaction with the controls. The needle valve may need to be adjusted or reseated to correct the issue.

Step 1: Be sure to lower the lift cylinder until it no longer supports the weight of the saw.

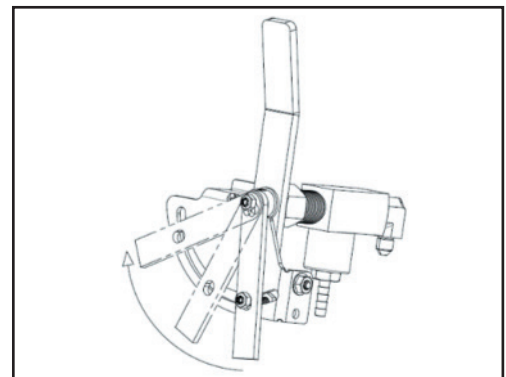
Do NOT work on the saw with the lift cylinder under pressure as it may fall unexpectedly, causing serious injury.

Step 2: Use a 7/16" wrench, loosen nut and bolt "A"



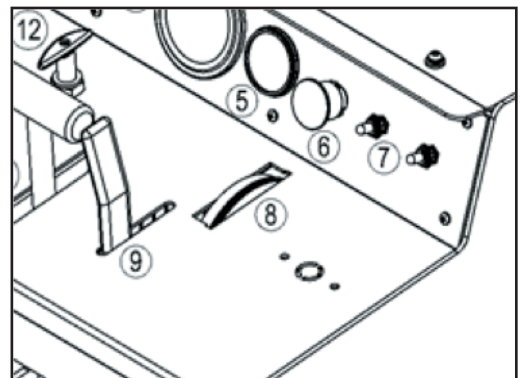
Step 3: Push the lever forward about 1/8" to allow the needle valve to reset

Step 4: Retighten the nut and bolt "A" until the compression spring is fully collapsed.



Step 5: Raise the saw to 10" off the ground and set the depth wheel on dashboard to zero and allow it sit for 3 to 5 minutes.
Do NOT leave the saw unattended during this procedure.

Step 6: If the saw continues to lower without operator input, repeat steps 1 through 4.



CUSTOMER SUPPORT: 800.321.1240 EMAIL: orders@icsdiamondtools.com