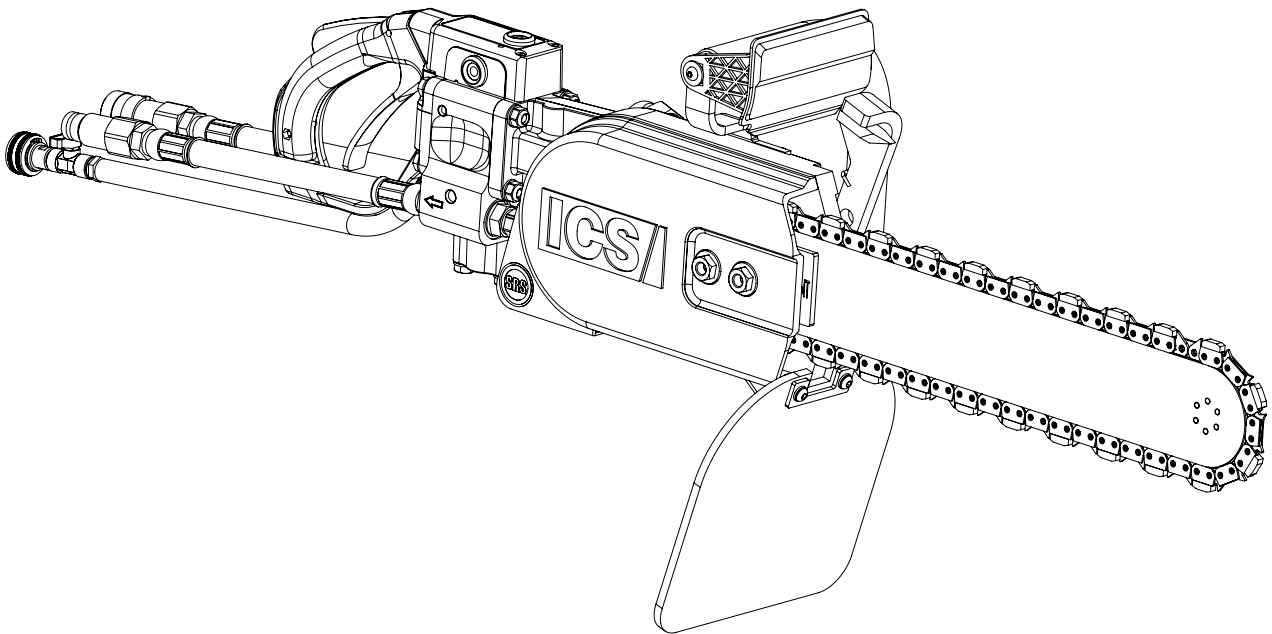




**Diamond Tools and Equipment
for Construction and Infrastructure**

Replacement Parts & Accessories Price List



880/890 Series Hydraulic Concrete Saw

Effective January 1, 2020

TABLE OF CONTENTS

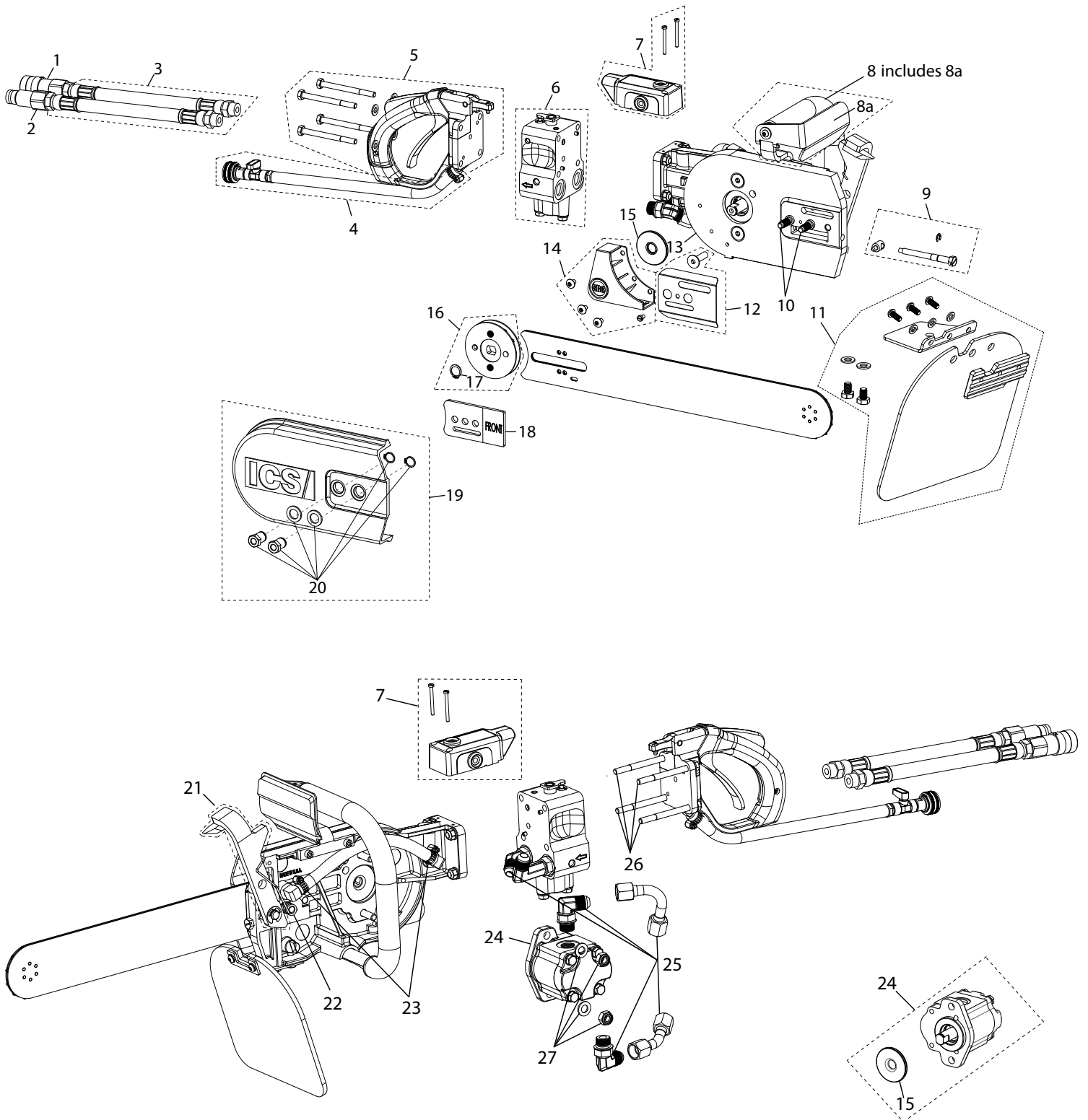
880/890 Series Hydraulic Concrete Saw

ITEM DESCRIPTION	PAGE
880/890 Series Hydraulic Saw Service Parts & Kits	2
880/890 Series Hydraulic Saw Assembly	3 - 4

SERVICE PARTS & KITS

880/890 Series Hydraulic Concrete Saw

Part No.	Description	MSRP
70619	880/890 Series Tensioning Screws, Hydraulic Saws	\$14.10
71526	880/890 Series Hydraulic Valve Spool Kit	\$93.40
72296	880/890 Series Hydraulic Valve Seal Kit	\$30.10
72347	880/890 Series Hydraulic Trigger Lock-Out Spring & Pin Kit	\$25.80
506026	880/890 Series Hydraulic Trigger & Lock-Out Kit	\$42.10
507407	880/890 Series Hydraulic Front Handle Fastener Kit	\$14.00
518869	880/890 Series Hydraulic Water Valve Kit, includes clip, plunger, spring, ball & water bridge spindle	\$112.70
564961	880/890 Series Motor Conversion Kit 8 gpm (30 lpm) - includes drive sprocket/motor bolts	\$800.60
564960	880/890 Series Motor Conversion Kit 12 gpm (45 lpm) - includes drive sprocket/motor bolts	\$800.60
528594	880/890 Series Motor Seal Kit	\$182.30
564923	880/890 Series Shaft Conversion/Replacement Kit 8 gpm (30 lpm)	\$371.90
564924	880/890 Series Shaft Conversion/Replacement Kit 12 gpm (45 lpm)	\$371.90
540291	880/890 Series Side Cover Gasket	\$18.30
72342	880/890 Series Hydraulic Motor Bolt Kit	\$24.80
72344	880/890 Series Valve Bolt Kit	\$27.10
530046	880/890 Series FORCE4™ Bar Nose Sprocket Repair Kit	\$40.50
566059	880/890 Series Water Shut-off Valve Kit	\$70.90



Key #	Part No.	Description	MSRP
1	71916	880/890 Series QD, Female, with O-Ring, Kit (hose not included)	\$88.00
2	71917	QD Male with O-Ring (hose not included)	\$52.60
3	70629	880/890 Series Hydraulic Pigtail Kit 1' hoses (set of 2 hoses, QD's included)	\$164.30
3	566556	880/890 Series Hydraulic Hose Whip 8' (one hose only, does not include Quick Disconnects) Not shown	\$97.70
4	566059	880/890 Series Water Shut-off Valve Kit	\$70.90
5	565316	880/890 Series Rear-Handle Replacement Kit	\$234.90
6	528553	880/890 Series Hydraulic Valve Replacement	\$612.00
7	565317	880/890 Series Valve Cover Kit with levels, Black	\$131.10
8	71153	880/890 Series Front Handle Kit (includes 8a) - 8gpm (30 lpm)	\$172.70
8a	74586	880/890 Series Front Hand guard Kit - 8 gpm (30 lpm)	\$40.60
8	71536	880/890 Series Front Handle Kit (includes 8a) - 12gpm (45 lpm)	\$172.70
8a	517874	880/890 Series Front Hand guard Kit - 12 gpm (45 lpm)	\$39.70
9	70636	880/890 Series Tensioner Kit	\$66.60
10	72349	880/890 Series Series Bar Mounting Studs	\$65.60
11	576336	880/890 Series Series Mud Flap Assembly	\$114.25
12	70627	880/890 Series Bar Mount Cover Plate	\$24.80
13	528562	880/890 Series Main Frame	\$373.10
14	512592	Baffle Drain Replacement Kit	\$94.40
15	528563	880/890 Series External Shaft Seal Kit	\$62.30
16	565065	880/890 Series Drive Sprocket (includes snap ring)	\$241.70
17	549796	880/890 Series Snap Ring Kt	\$5.50
18	70628	880/890 Series Bar Retaining Plate	\$35.50
19	528564	880/890 Series Side Cover Replacement Kit	\$209.00
20	70639	880/890 Series Cover Retaining Nuts (set of 2)	\$58.20
21	70641	880/890 Series WallWalker Replacement Kit	\$246.60
22	70640	880/890 Series WallWalker Spring	\$22.70
23	72346	Front Water Hose Kit	\$27.10
24	564962	880/890 Series Hydraulic Motor Replacement Kit - 8 gpm (30 lpm)	\$629.20
24	564983	880/890 Series Hydraulic Motor Replacement Kit - 12 gpm (45 lpm)	\$629.20
25	532400	880/890 Series Hydraulic Plumbing Replacement Kit	\$96.50
26	72344	880/890 Series Valve Bolt Kit	\$27.10
27	72342	880/890 Series Motor bolt kit (x2)	\$24.80

880/890 Series Replacement Parts & Accessories Price List

**ICS, Blount Inc.
4909 SE International Way
Portland, OR 97222
Tel 800.321.1240
icsdiamondtools.com**