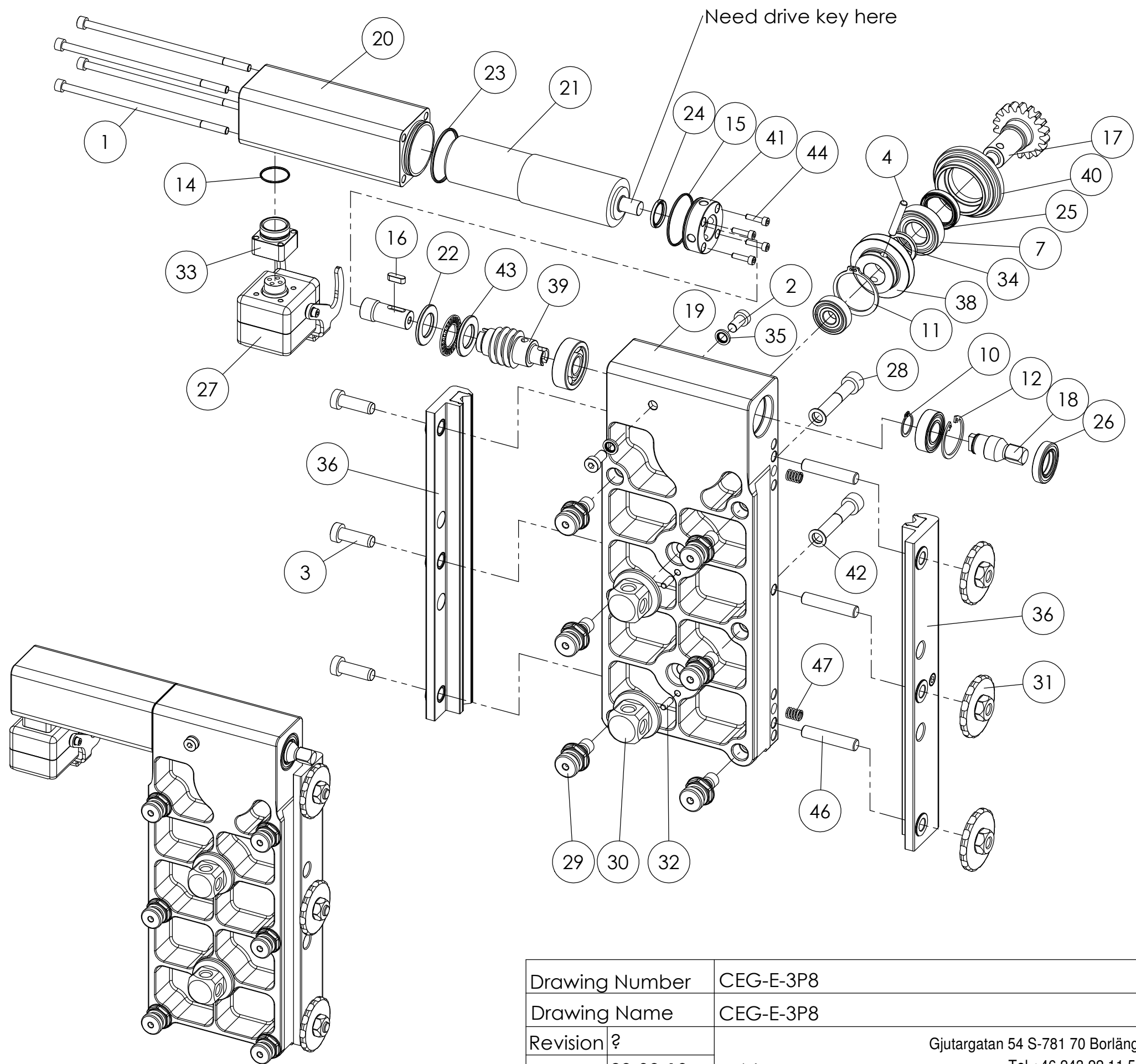


ITEM NO.	PART NUMBER	REV.#	DESCRIPTION	CEG-E-3P8/QTY.
1	121006155-8.8FZ	1	Allen screw DIN912 M6 x 155 8.8Z	4
2	121208016-8.8FZ	1	Allen screw DIN7984 M8 x 16 8.8Z	2
3	121210030-8.8FZ	1	Allen screw DIN7984 M10 x 30 8.8Z	3
4	17306350	1	Cyl. Pin 6 x 35	1
5	20082035		Axial needle roller bearing AXK2035	1
6	20756003		Ball bearing, 6003-2RSH/C3	1
7	20756004		Ball bearing, 6004-2RS1 C3	1
8	20756201		Ball bearing, 6201-2RS1 C3	1
9	20877302		Angular contact ball bearing, 7302-BEP	1
10	21201700		Circlip, DIN 471, 17 mm	1
11	21203800		Circlip DIN 471 38 mm	1
12	21403500		Circlip, DIN 472, 35 mm	1
13	21404700		Circlip, DIN 472, 47 mm	1
14	23115022		O-ring 22 x 1.5 NBR 70	1
15	23115042		O-ring 42 x 1.5 NBR 70	1
16	29110516		Key 5 x 5 x 16	1
17	341607R1	1	Pinion, travel, 18 teeth	1
18	341711R1	1	Drive shaft, CEG	1
19	560216R1	1	CEG chassis	1
20	582824R2	2	Cover, CEG feed motor	1
21	63123500	1	Feed motor, 24V, 235:1	1
22	200281104	1	Axial thrust washer, GS 81104	1
23	231200042		O-Ring	1
24	23901802403		Radial seal 18 x 24 x 3	1
25	24002503507		Radial seal, 25 x 35 x 7 with dust lip	1
26	24002003507		Radial seal, CR20 x 35 x 7 HMSA10 RG	1
27	Connector, assembly, on chassie, 24V		Connector, Assembly, ON Chassie, 24V	1
28	121010055-12.9FZ		Allen screw DIN912 M10 x 55 12.9Z	2
29	140505R1		Coupling stud, MD1	6
30	150801		Clamping nut, MD1	2
31	151701R2		Nut, clamp profile	3
32	17305140		Cyl. Pin 5 x 14	2
33	22410100		Spacer, Cannon connector, 24V	1
34	22140200		Spacer, travel pinion	1
35	23208713		Dowty washer, M8	2
36	49090101		Clamp assy, L=300	2
37	34430100		Adapter axle, 24V DC-motor	1
38	35430300		Worm gear, with shear pin, D=6	1
39	35500100		Worm screw	1
40	58250200		Cover, travel	1
41	58359000		Flange, DC-Motor	1
42	22111012		Support ring 10 x 16 x 1.2	2
43	200181104		Axial thrust washer, WS 81104	1
44	121004016-12.9FZ		Allen screw DIN912 M4 x 16 12.9Z	4
45	21202000			1
46	14081400		Stud bolt, DIN 976, M10 x 50 Fzb	3
47	32120822		Compression spring 1.25 x 8 x 22	2



Assembled View

Drawing Number	CEG-E-3P8	
Drawing Name	CEG-E-3P8	
Revision	?	Gjutargatan 54 S-781 70 Borlänge Tel +46 243 22 11 55 Fax +46 243 22 11 80
Date	28-09-10	
Drawn	KRT	
SHOP DRAWING		

